

● PROFESSIONAL LED INDICATORS Ø25.4mm Mounting

FEATURES



672 SERIES

PACK QUANTITY = 1 PIECE

- Black anodised aluminium housing
- RIA 12 approved versions available
- Sealed to IP67
- Internal reverse protection diode fitted as standard in all voltage models.
- Large LED indication
- AC Version available upon request

SPECIFICATION

Ordering Information & Typical Technical Characteristics (Ta = 25°C)

Mean Time Between Failure = 100,000 Hours. Luminous intensity figures refer to the unmodified discrete LED.

PART NUMBER	COLOUR	LENS	VOLTAGE DC (Vdc) Vopr	CURRENT DC (mA) Iopr	LUMINOUS INTENSITY Iv@20mA (mcd)	WAVE LENGTH λp (nm)	OPERATING TEMP Topr	STORAGE TEMP Tstg		
STANDARD INTENSITY										
672-290-22	Red		Colour Diffused	24	19	30	625	-40 ~ +85 [^]	-40 ~ +85	Yes
672-291-22	Yellow		Colour Diffused	24	19	20	590	-40 ~ +85 [^]	-40 ~ +85	Yes
672-292-22	Green		Colour Diffused	24	19	200	565	-40 ~ +85 [^]	-40 ~ +85	Yes
672-290-75	Red		Colour Diffused	110vac/dc	19	30	625	-40 ~ +85 [^]	-40 ~ +85	Yes
672-291-75	Yellow		Colour Diffused	110vac/dc	19	20	590	-40 ~ +85 [^]	-40 ~ +85	Yes
672-292-75	Green		Colour Diffused	110vac/dc	10	200	565	-40 ~ +85 [^]	-40 ~ +85	Yes
HIGH INTENSITY										
672-289-22	Red		Colour Diffused	24	19	400	660	-40 ~ +85 [^]	-40 ~ +85	Yes
672-293-22	Yellow		Colour Diffused	24	19	820	590	-40 ~ +85 [^]	-40 ~ +85	Yes
672-294-22	Blue		Colour Diffused	24	19	19	468	-40 ~ +85 [^]	-40 ~ +85	Yes
672-295-22	Cool White		Colour Diffused	24	19	890	see below	-40 ~ +85 [^]	-40 ~ +85	Yes
672-289-75	Red		Colour Diffused	110vac/dc	10	400	660	-40 ~ +85 [^]	-40 ~ +85	Yes
672-293-75	Yellow		Colour Diffused	110vac/dc	10	820	590	-40 ~ +85 [^]	-40 ~ +85	Yes
672-294-75	Blue		Colour Diffused	110vac/dc	10	19	468	-40 ~ +85 [^]	-40 ~ +85	Yes
672-295-75	Cool White		Colour Diffused	110vac/dc	10	890	see below	-40 ~ +85 [^]	-40 ~ +85	Yes
UNITS				Vdc	mA	mcd	nm	°C	°C	



Other voltages AC/DC available. Please contact our Technical Sales.

[^] = Products must be derated according to the derating information. Each derating graph refers to specific LEDs. Appropriate LED numbers shown - Refer to page 2. The -75 products will operate at 110Vac or 110DC.

295	*Typical emission colour cool white			
x	0.248	0.391	0.380	0.280
y	0.286	0.436	0.381	0.284

Intensities (Iv) and colour shades of white (x,y co-ordinates) may vary between LEDs within a batch.

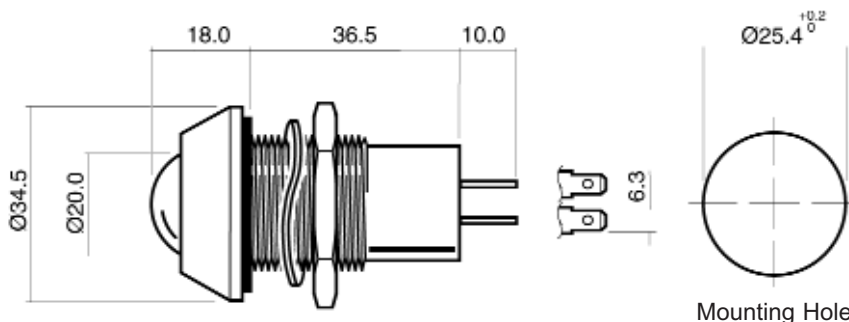
How to Order:

website: www.marl.co.uk • email: sales@marl.co.uk •

• Telephone +44 (0)1229 582430 • Fax: +44 (0)1229 585155

The information contained in this datasheet does not constitute part of any order or contract and should not be regarded as a representation relating to either products or service. Marl International reserve the right to alter without notice the specification or any conditions of supply for products or service.

672 Series



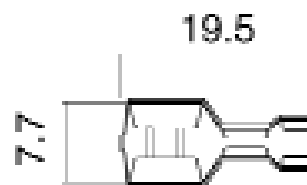
Dimensions in mm (Typical)
Not to scale

Anode termination indicated by colour dot.
Mounting hole to be clean and burr free.

MATERIALS

PUSH-ON CONNECTORS

Body	Black Anodised Aluminium
Nut	Aluminium
Panel Seal	Neoprene
Termination Tags	Tin Plated Brass
Lens	Epoxy
Encapsulation	PC5430 resin
Lock Washer	Spring Washer



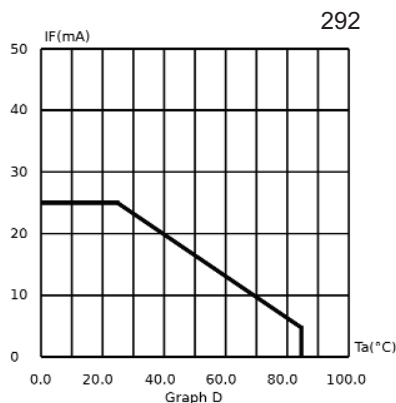
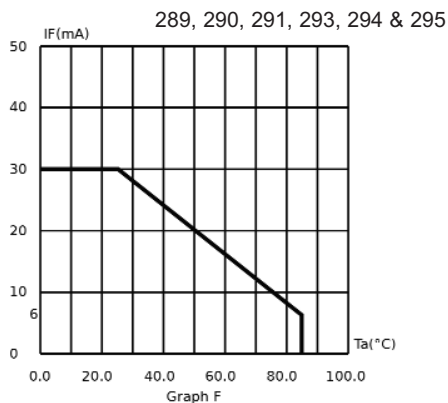
926-000-00 is brass tin plated,
vinyl insulation.
For use with 672 series lamps.

Dimensions in mm (Typical)
Not to scale

TECHNICAL CHARACTERISTICS

SERIES	MAXIMUM POWER DISSIPATION	PANEL CUTOUT	NUT MOUNTING TORQUE	MINIMUM MOUNTING CENTRES	MIN/MAX. PANEL THICKNESS
672	2500	25.4	1.2	x,y = 41.0	2.0-10.0
UNITS	mW	Vdc	mm	Nm	mm

DERATING INFORMATION



website: www.marl.co.uk • email: sales@marl.co.uk •

• Telephone +44 (0)1229 582430 • Fax: +44 (0)1229 585155

The information contained in this datasheet does not constitute part of any order or contract and should not be regarded as a representation relating to either products or service. Marl International reserve the right to alter without notice the specification or any conditions of supply for products or service.